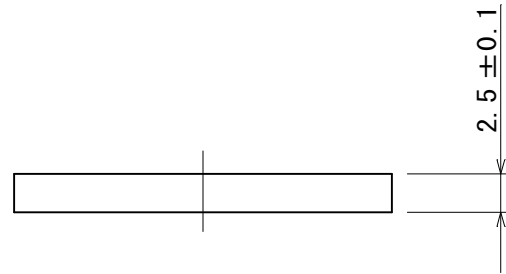
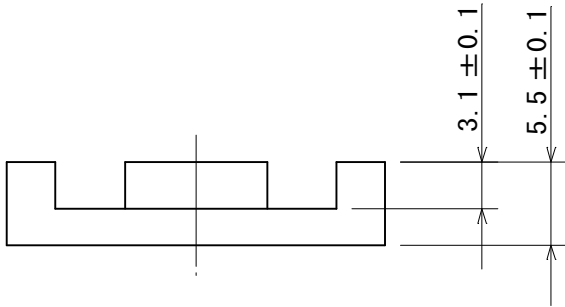
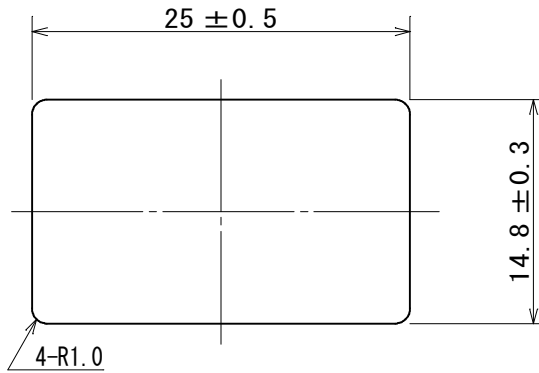
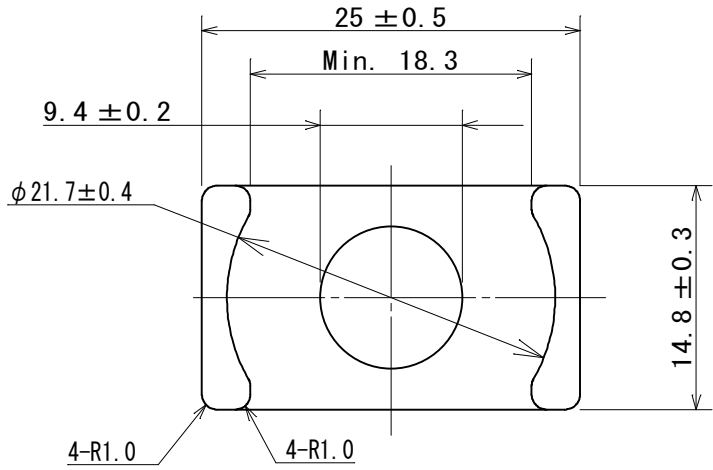


REVISION HISTORY			
REV	DESCRIPTION	DATE	APPROVED



	Scale: 2 : 1	Material	Customer Part number ER25/6/15 and I /25/3/15	
	Unit: mm		Standard tolerances: ±0.1	Product Name EIR-25-8-14.8
Approved by K. Yamasaki	Created by Y. Nishio	Document type Prototype drawing	Rev 1	Drawing No. HM03106S
Hitachi Ferrite Electronics, Ltd.			Date of issue Aug. 22 2017	Sheet 1/1